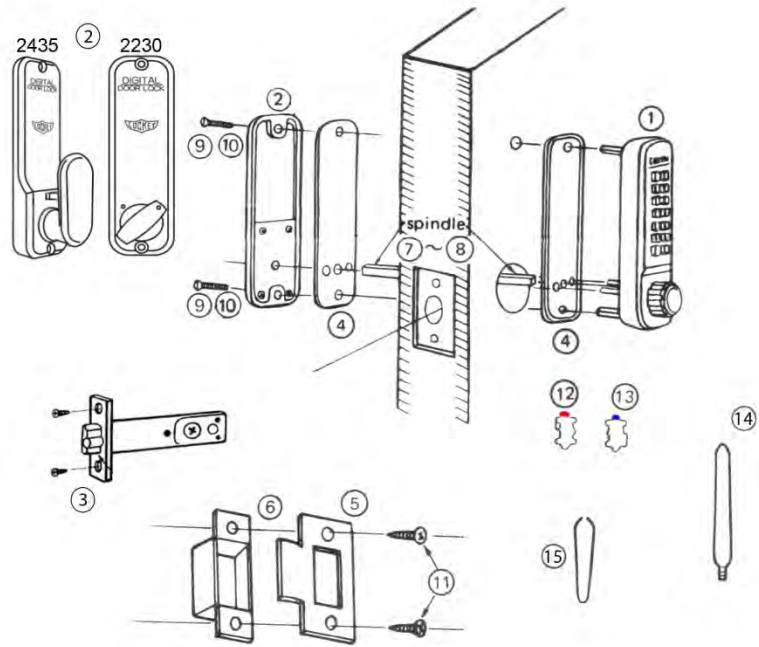


# LOCKEY 2230 | 2435 | 3230 INSTALLATION INSTRUCTIONS

2230 | 2230 DC | 2435 | 3230 | 3230 DC



No.	Part Name	2230 2435
1	Outside Body	1
2	Inside Body	1
3	Deadlatch (2 3/8" - 2 3/4")	1
4	Rubber Trim Plate	2
5	Strike Plate	1
6	Mortised Striker	1
7	Spindle 40-55mm.	1
8	Spindle 30-45 mm.	1
9	Machine Screw M4 x 50 mm.	2
10	Machine Screw M4 x 35 mm.	2
11	Wood Screws M4	4
12	Extra Code Tumblers (Red)	1
13	Extra Non-Code Tumblers (Blue)	2
14	Brass Support Pin	1
15	Tweezers	1



## Step 1: Change User Code (OPTIONAL)

If you wish to change your code, see instructions on reverse side.

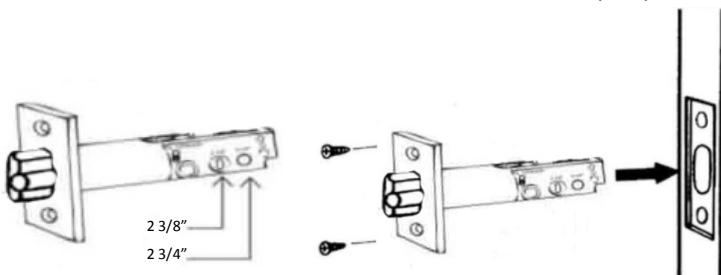
## Step 2: Prep Door for Installation with Template

1. Place template (supplied) on door and fold along door's edge.
2. Mark holes for 2 3/8" or 2 3/4" backset.
3. Drill holes as instructed.

NOTE: For Pre-Prepped 2 1/8" doors, you only need to drill top hole.

## Step 3: Adjust Latch (if necessary) & Install

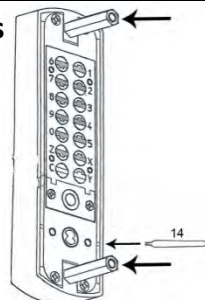
1. Adjustable latch (#3) is factory preset for a 2 3/8" backset.
2. For 2 3/4" backsets, slide the Cam assembly on the latch to 2 3/4".
3. Insert latch into door and secure with Wood Screws (#11).



## Step 4: Install Support Pin & Hex Bolts

Install Brass Support Pin (#14) into either hole on Outside Body as shown in the figure to the Right.

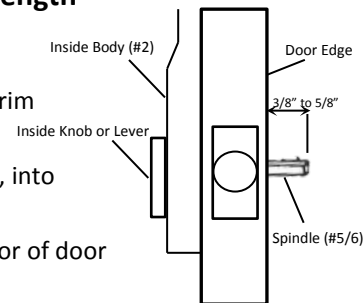
Install/screw Hex Bolts into the top and bottom of the Outside Body as shown in the figure.



## Step 5: Verify Correct Spindle Length

1. With latch (#3) installed, hold the Inside Body (#2) and Rubber Trim Plate (#4) to the door.
2. Place Spindle (#7/8) through latch, into the Inside Body, as far as possible.
3. Spindle should extend from exterior of door 3/8" min. - 5/8" max.
4. If the 30-45 mm (#8) is too long, cut it to the correct length.

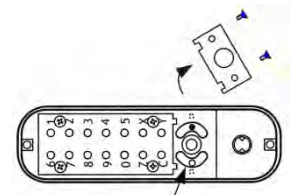
IMPORTANT: If spindle extends less than 3/8" it may not engage the lock. If spindle extends more than 5/8", it will cause the lock to bind.



## Step 6: Determine Knob Turn Direction (to unlock)

The lock is preset to unlock when turned clockwise after combination is entered.

If desired, you can unlock the door with a counter-clockwise turn. Remove the two blue screws and move the pin to the opposite side as shown.

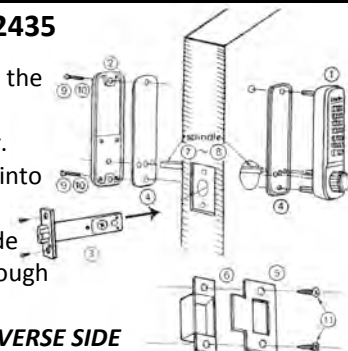


\*2230 DC - Inside Body pin must on opposite side from Outside Body.

## Step 7: Install the Lockey 2230/2435

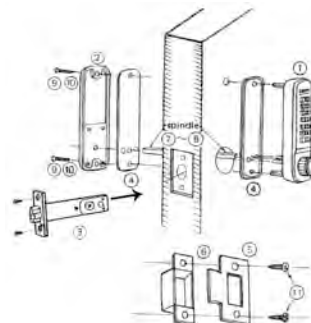
1. Place the Rubber Trim Plate (#3) on the backside of the Outside Body (#1).
2. Place the Outside Body on the door. The hexagonal bolts should extend into the top and bottom holes.
3. The Support Pin (#14) on the Outside Body should fit into and extend through the hole in the Latch (#3).

INSTRUCTIONS CONTINUED ON REVERSE SIDE



## Step 7 cont: Install the Lockey 2230/2435

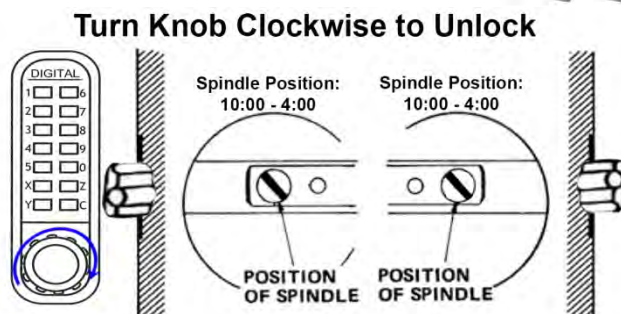
1. Insert the Spindle (#7/8) into the Outside Body (#1) ensuring it's in the proper angled position.  
*\*(SEE FIGURES BELOW)*
2. Using a screwdriver, secure the lock to the door with the Screws (#9 or #10).  
*Screw length is dependent on door thickness.*
3. Test the operation of the Latch by turning the inside knob/lever.
4. Locate position where Latch strikes door frame and install Mortised Strike (#5) and Strike Plate (#6).



### \*IMPORTANT: SPINDLE POSITION/ANGLE

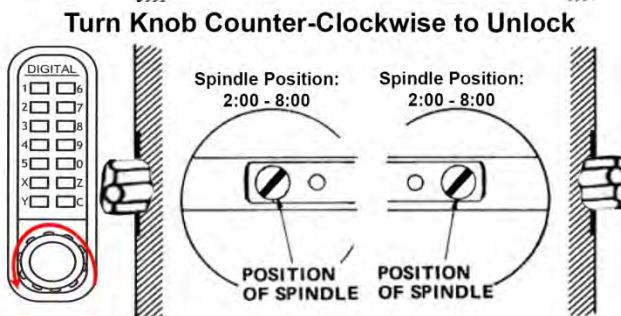
#### CLOCKWISE TURN TO UNLOCK WITH COMBINATION

The 2230/2435 is factory preset to unlock with a clockwise turn when the combination is entered. The Spindle MUST be placed through the latch, at a 10:00 – 4:00 angle as shown.



#### COUNTER-CLOCKWISE TURN TO UNLOCK WITH COMBINATION

If desired, the 2230/2435 can be unlocked with a counter-clockwise turn when the combination is entered. To unlock the 2230/2435 with a counter-clockwise turn, please refer to Step 6 to change the Handing Pin.

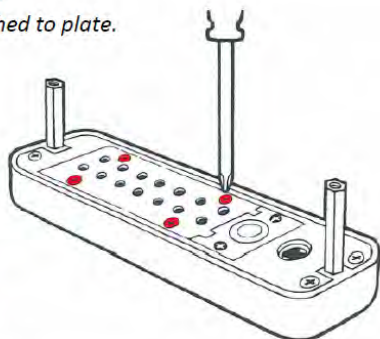


After changing the Handing Pin, the Spindle MUST be placed through the latch at a 2:00 – 8:00 angle as shown.

# LOCKEY 2000 SERIES HOW TO CHANGE CODE

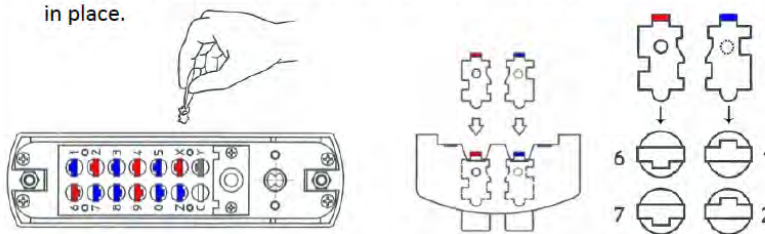


1. Using a #2 screwdriver, remove the four (4) Red Screws.
2. Carefully remove cover plate.  
*WARNING: Springs are attached to plate.*



RED = CODE TUMBLERS  
BLUE = NON-CODE TUMBLERS  
'C' = CLEAR (DO NOT REMOVE)

4. While holding the 'C' BUTTON, remove/add CODE (Red) and NON-CODE (Blue) Tumblers to create your desired code.  
Ex: 3 Red = 3-Digit Code / 6 Red = 6-Digit Code  
**IMPORTANT:** Ensure notched side of tumbler fits into slot. (Below – Far Right).
5. After changing your code, release the 'C' BUTTON to secure the tumblers in place.

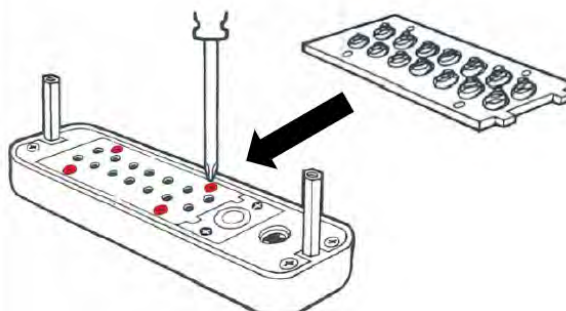


3. PRESS & HOLD 'C' BUTTON to release tumblers.  
**IMPORTANT:** 'C' Button must be pressed and held down when removing and inserting tumblers. Failure to do so will damage the lock and void the warranty.



**WARNING:**  
Do NOT force tumblers into position!

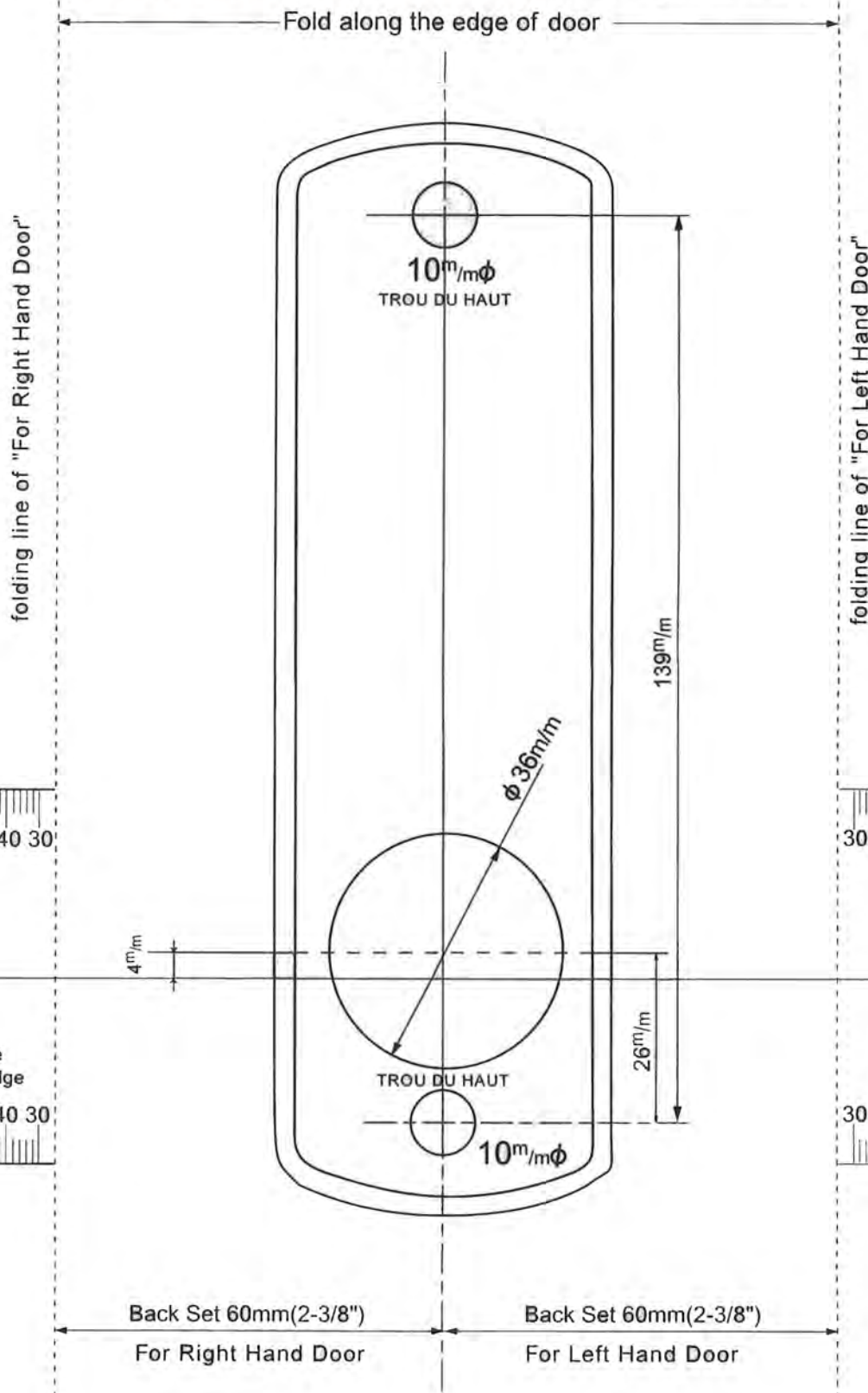
6. Replace the cover plate and secure with four (4) Red Screws, using a #2 screwdriver.
7. TEST CODE before installing/re-installing lock.



# DIGITAL DOOR LOCK ((DX TYPE))

## TEMPLATE NO.3230/3235

### FOR BACK SET 60m/m (2-3/8")



# DIGITAL DOOR LOCK ((DX TYPE))

## TEMPLATE NO.3230/3235

### FOR BACK SET 70m/m (2-3/4")

