



FEATURES

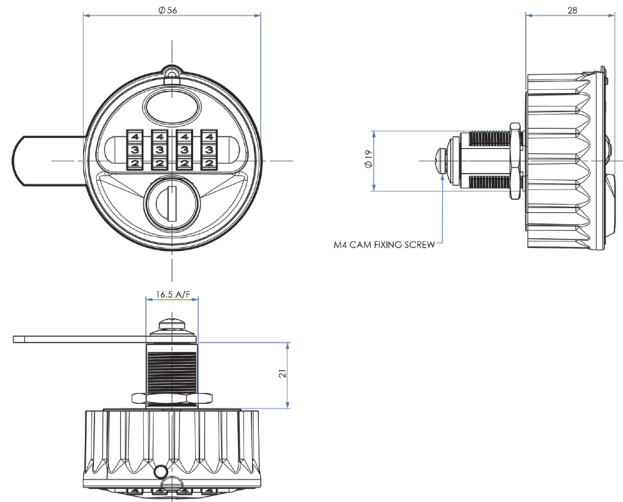
- Mechanical cam lock
- 4 Wheel Combination
- 10,000 possible combinations
- Key override
- Code Finding Feature
 - 10 Disc barrel with shutter cap
 - Allows emergency access if code is lost
- Code Changing Function
 - Accessible in unlocked position
- Easy Installation

OPTIONS

- Finishes:**
- Black (B)
 - Silver (S)
 - Custom*

DIMENSIONS & SPECIFICATIONS

- Dimensions:** 56mm x 28mm
- Nut fixing:** 3/4" - 27 UN x 21mm long (16.5mm A/F)
- Cam fixing:** 8mm Sq. with M4 thread
- Material:** Zinc die-cast construction
- Finish:** Powder coated
- Keys Included:** 2



ORDERING INFORMATION

Finish	Order #
Black	MC728B
Silver	MC728S



*Contact LockeyUSA for minimum order quantities and lead times for custom orders.