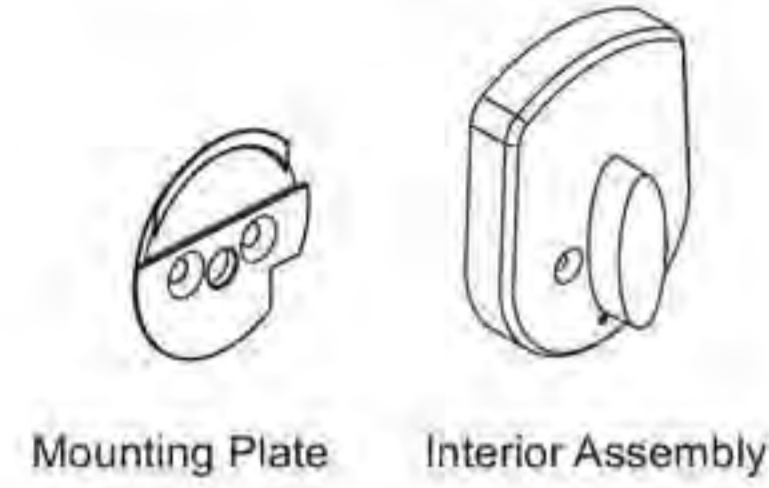
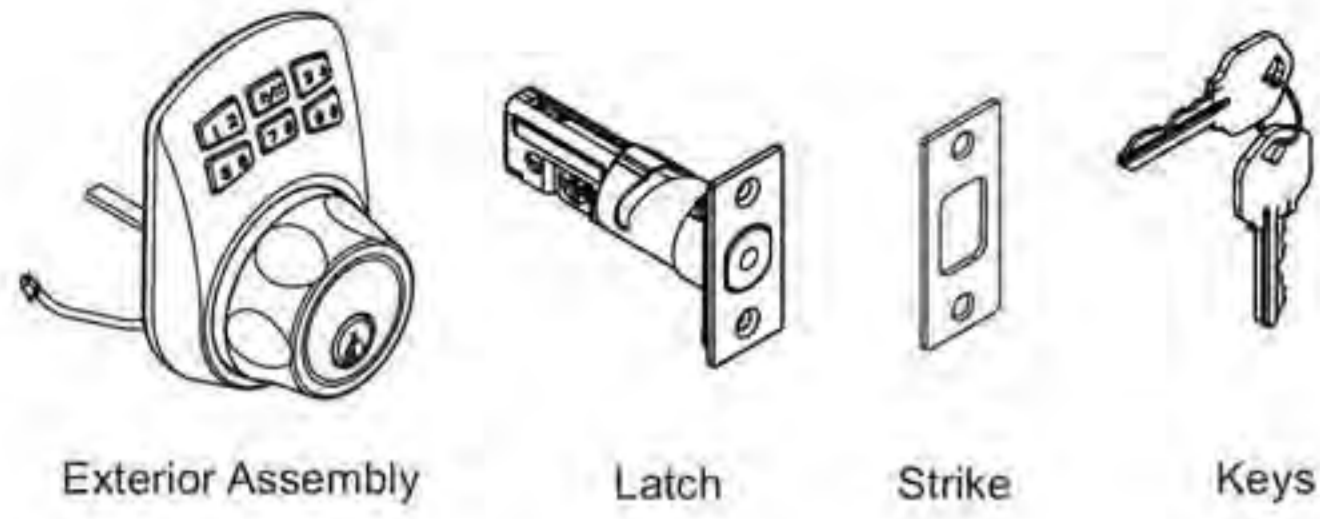
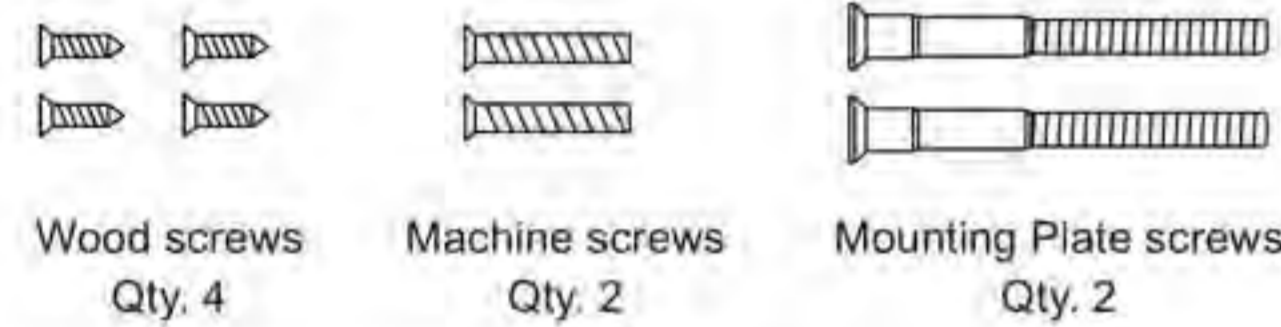


Keypad Electronic Deadbolt Installation Instructions

SPECIFICATIONS

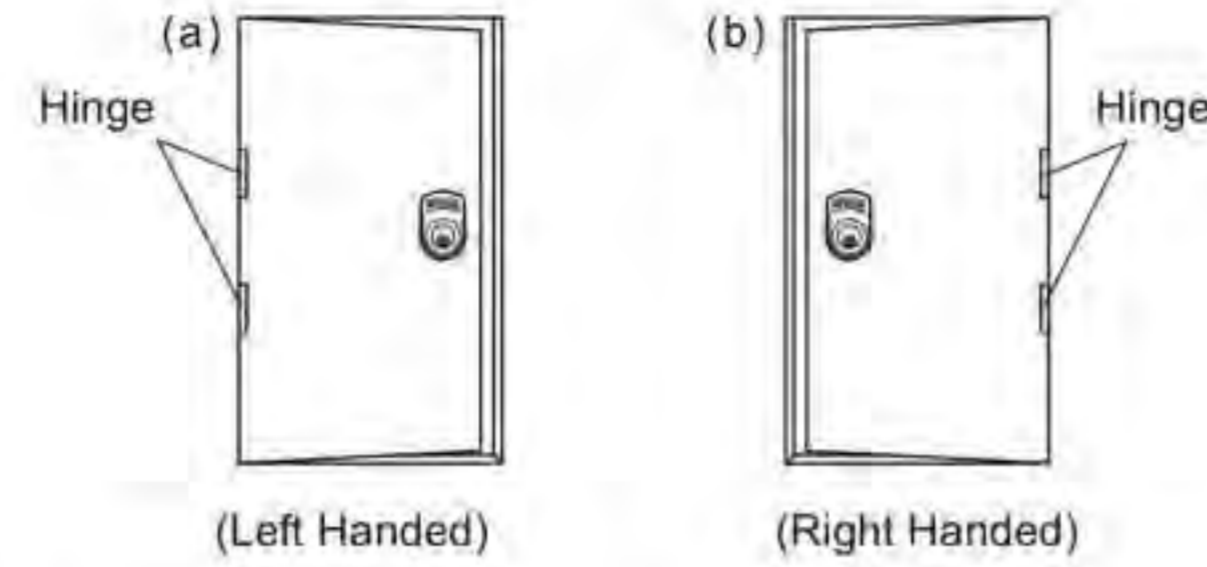


Mounting Screws Specifications



IDENTIFY DOOR HANDING

Face the door from the outside, the door is left-handed if the hinges are on the left side of the door, whereas the door is right-handed if the hinges are on the right side of the door.



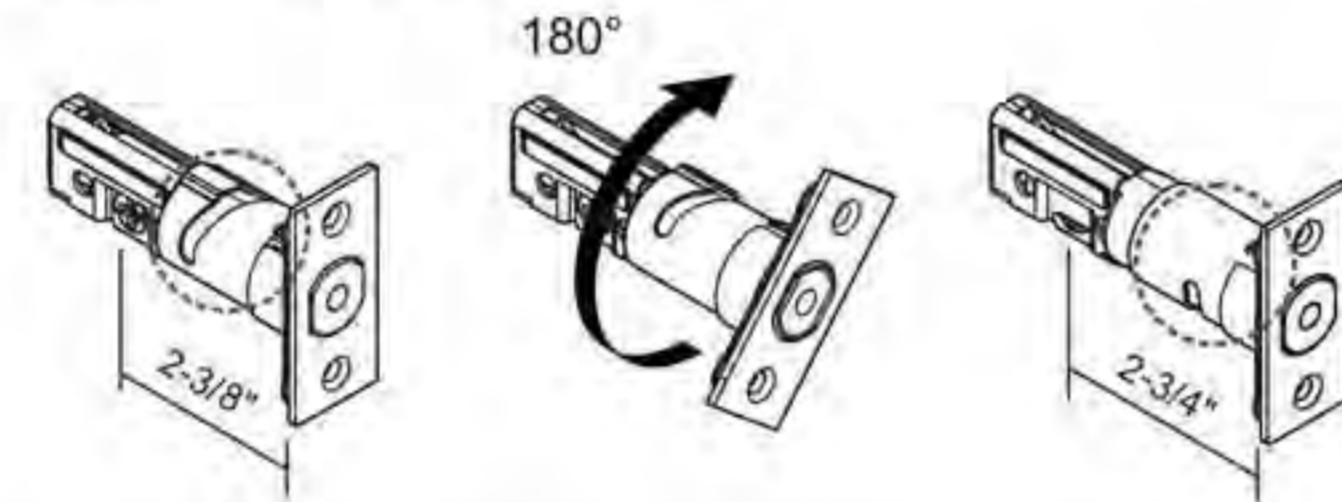
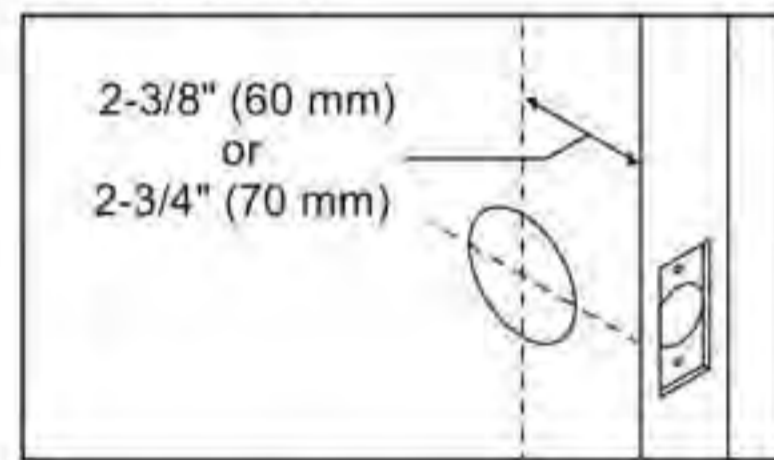
Note : When installing make sure the door opening side.



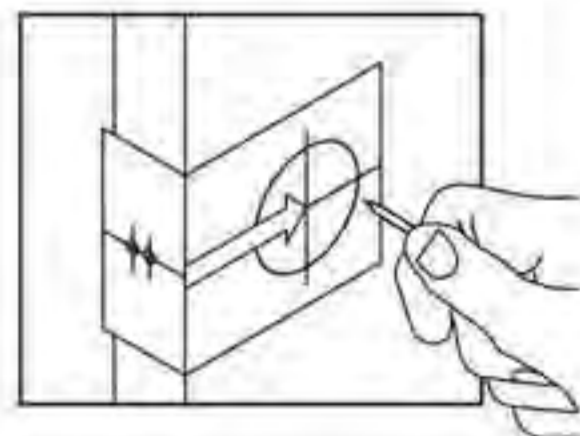
BACKSET DETERMINATION

Backset is a distance from door edge to center of hole on door face. Adjustable latch fits both backset of 2-3/8" (60 mm) and 2-3/4" (70 mm).

Remarks : The latch will adjust from 2-3/8" (60 mm) to 2-3/4" (70 mm). Please adjust to fit your door.

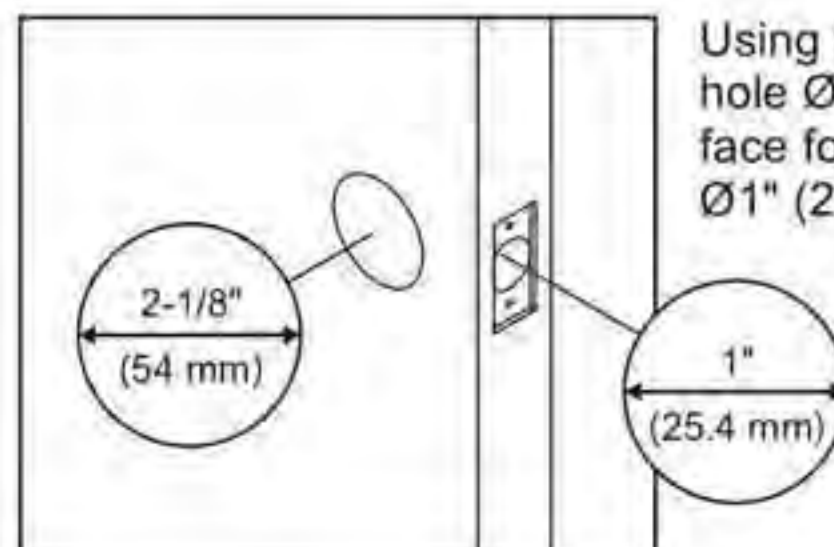


1. MARK THE DOOR WITH TEMPLATE



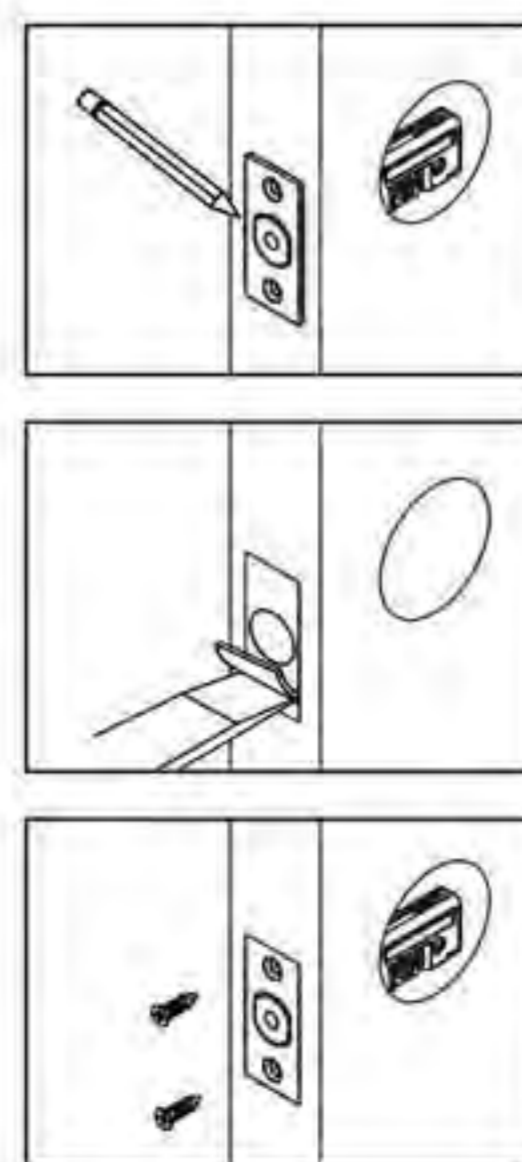
Select the height and backset as desired on the door face ; use the TEMPLATE as an indication to mark the center of the circle on the door face and the center of the door edge.

2. DRILL HOLES



Using the marks as a guide to drill a hole Ø2-1/8" (54mm) through the door face for the lockset, then a hole of Ø1" (25.4mm) for latch.

3. INSTALL LATCH

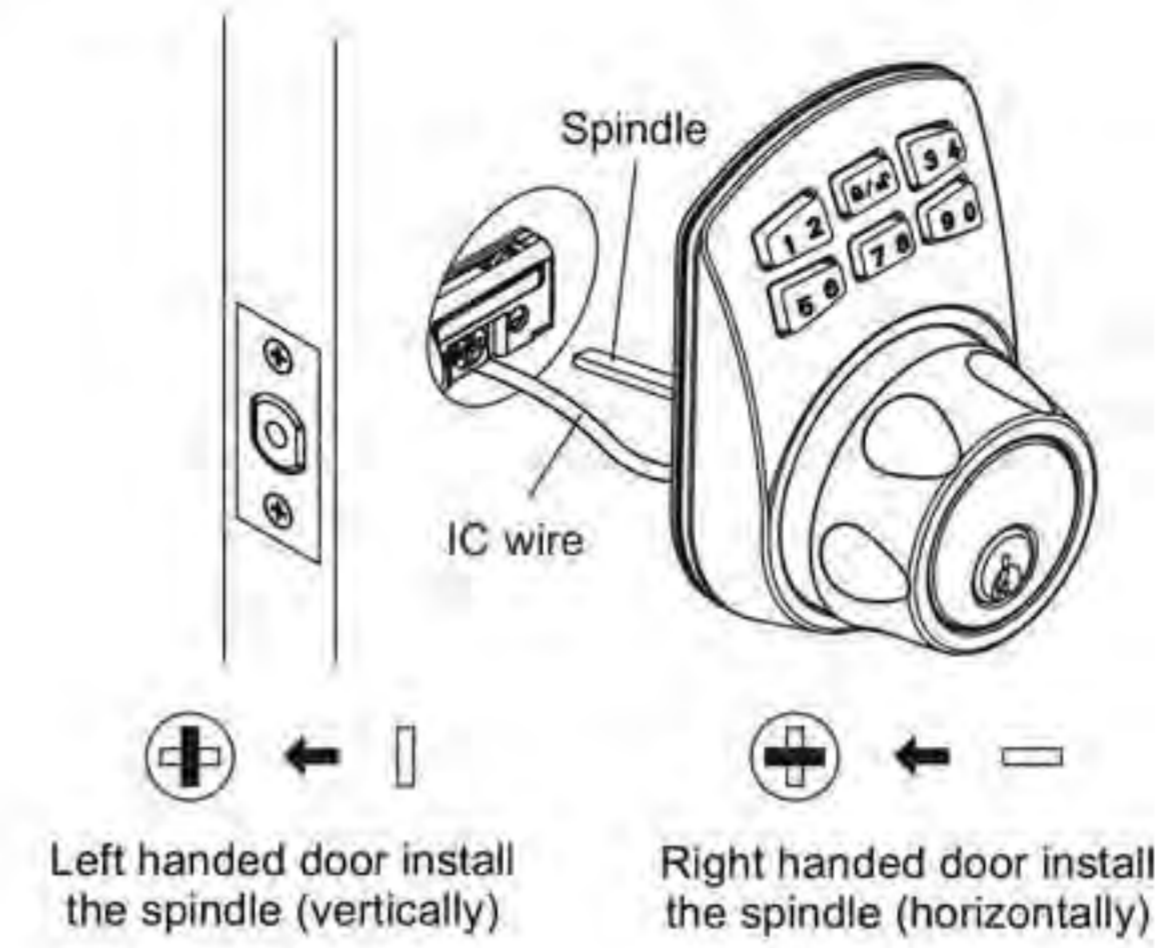


- Insert the latch and ensure it is paralleled to the door face. Mark the outline of the faceplate, then take out the latch.
- Chisel 1/8" (3mm) deep along the outline to allow the faceplate to be aligned with the door edge.
- Insert the latch and tighten it with screws.

Wood screws x 2

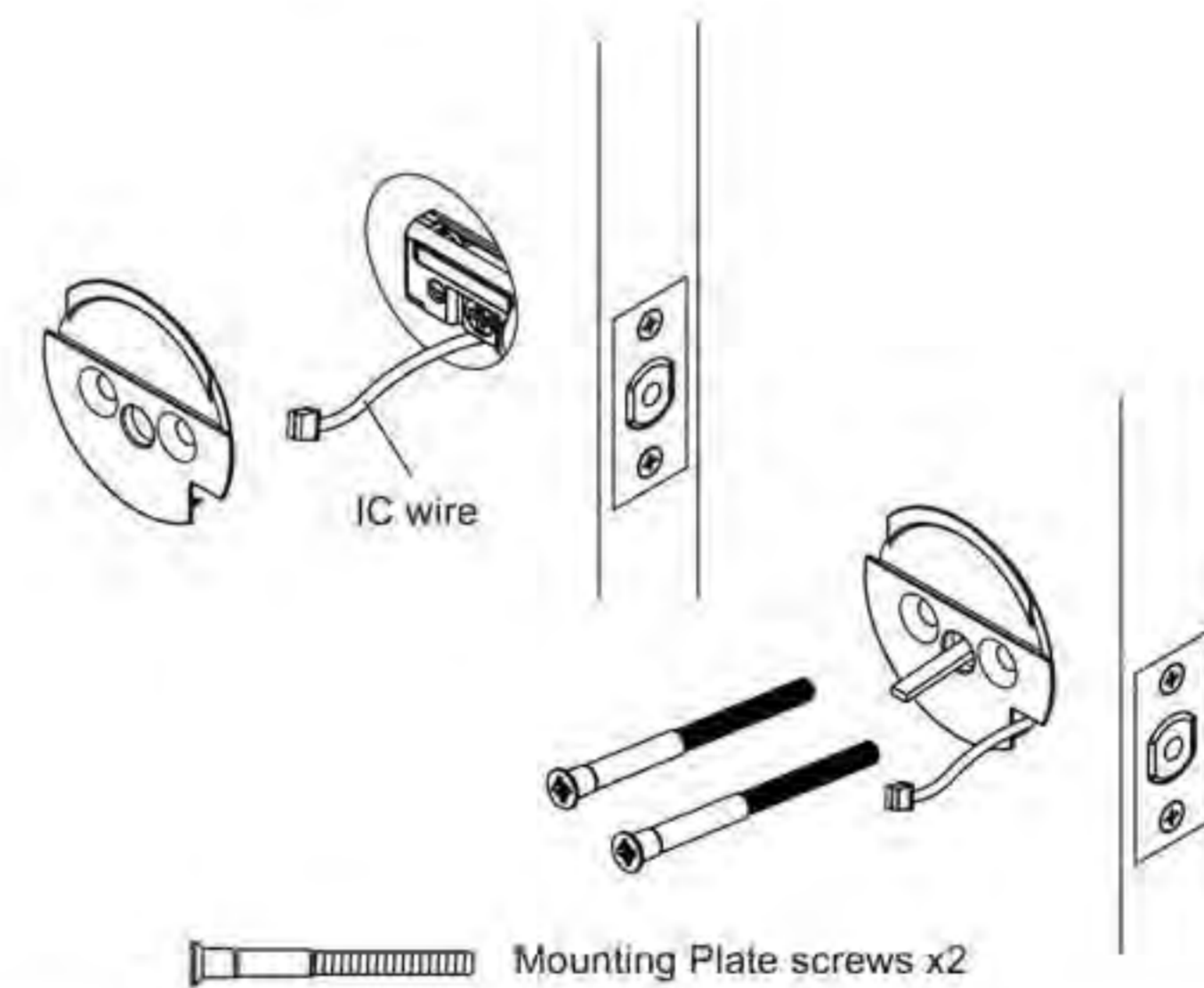
4. INSTALL THE EXTERIOR ASSEMBLY

- Make sure the latch bolt is at unlocked position.
- Make sure you install the spindle inside the lock body correctly. If your door is LEFT-HANDED the spindle should be VERTICAL in the latch. If your door is RIGHT-HANDED the spindle should be HORIZONTAL in the latch.
- IC wire goes through the bottom of latch hole.



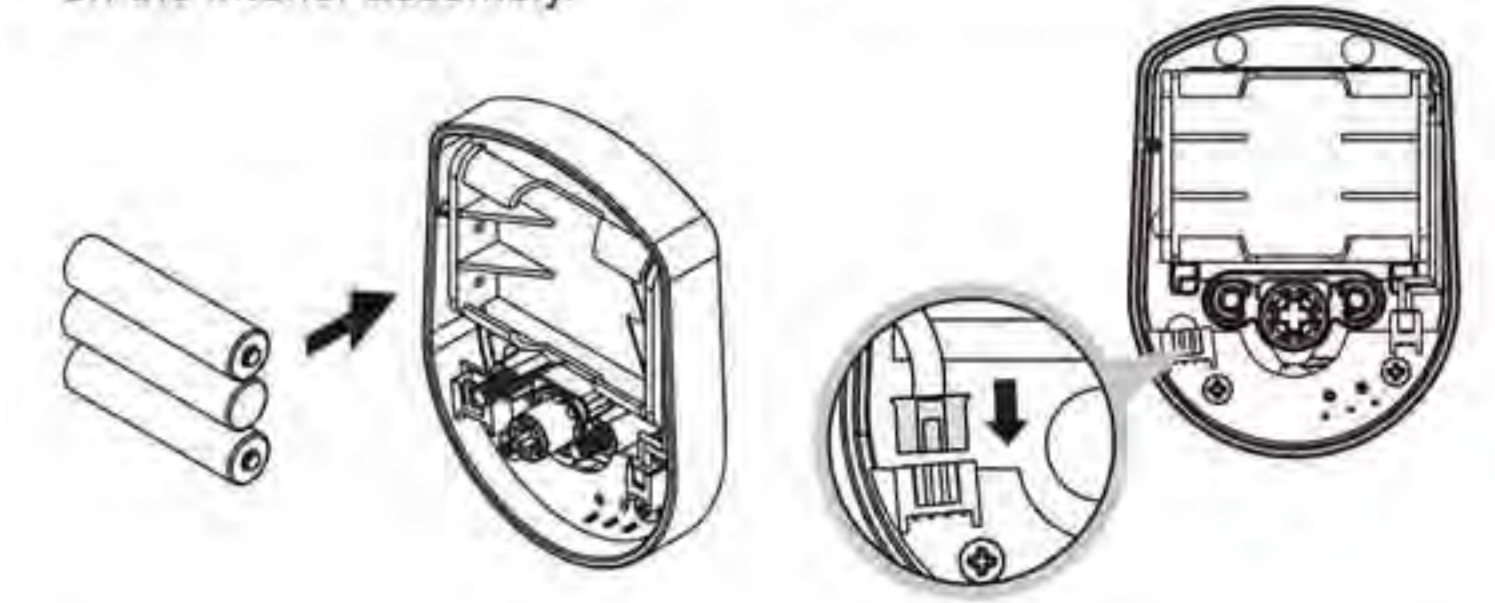
5. INSTALL THE MOUNTING PLATE

Before securing the mounting plate to the deadbolt with the mounting screws make sure the IC wire fits cleanly through the corner of the plate.

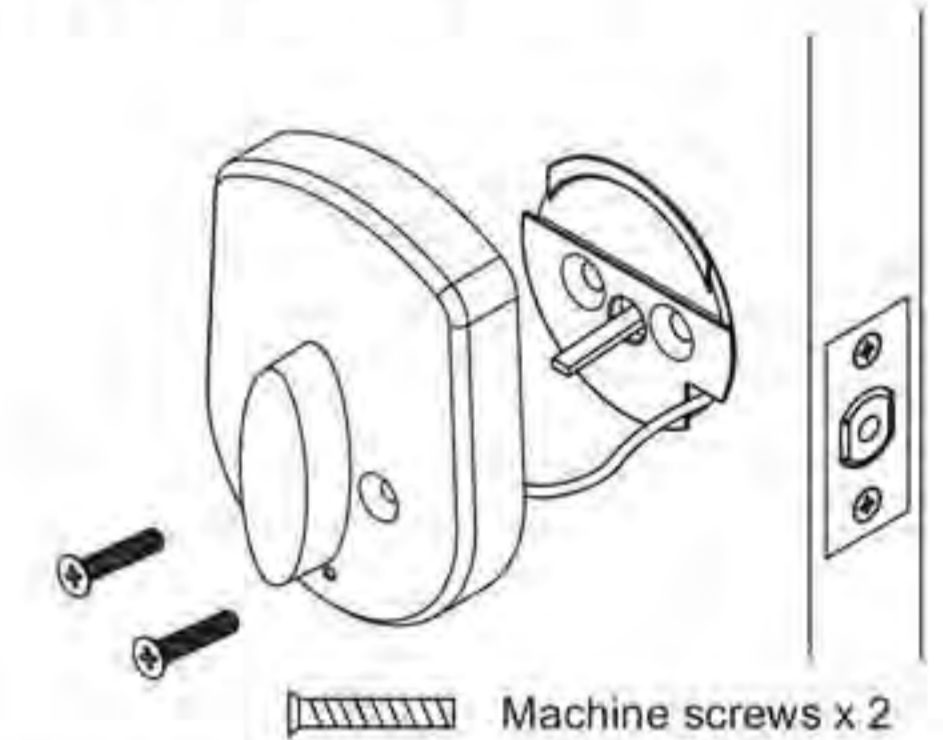


6. INSTALL THE INTERIOR ASSEMBLY

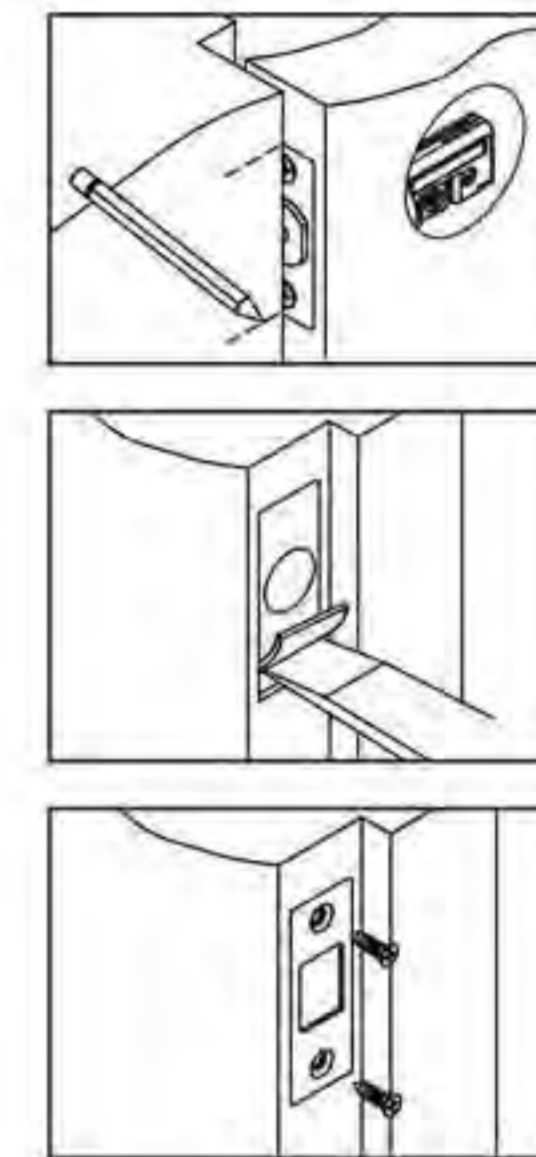
Insert 3 AAA alkaline batteries into the battery case. Pull the IC cable from the side of the fixation plate and connect to the slot on the interior assembly.



Match the interior assembly, the turnpiece should be vertical, and fasten the interior with screws.



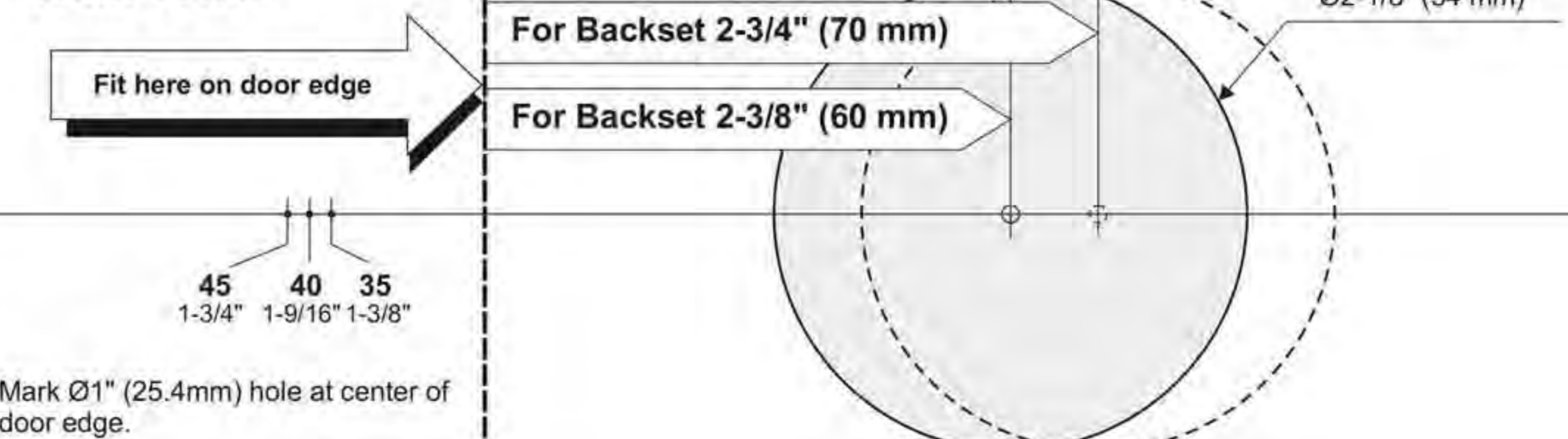
7. INSTALL STRIKE



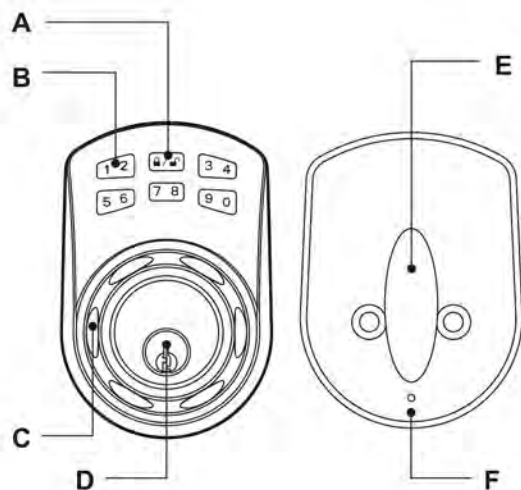
- To identify the center of strike : close the door, on the basis of the faceplate mark horizontal center line of strike. Ensure the center of faceplate and the center of strike are aligned. Use the mark as a guide outlines the strike.
- Chisel 5/64" (2mm) deep along the strike outline to allow the strike to be aligned with the doorframe.
- Insert the strike and tighten it with screws.

Wood screws x 2

TEMPLATE



INSTRUCTIONS



A Programming Button

Function setup & Lock and unlock.

B Number Buttons

Input the pass codes, each pass code is 4-10 digits in length.

C Cylinder Housing

Lock/unlock by control from cylinder housing.

D Cylinder

Retract / Extend the latch bolt by key from exterior.

E Turn-Piece

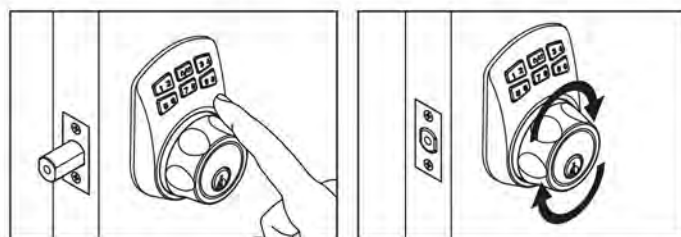
Retract / Extend the latch bolt from interior.

F R Button (Reset)

Restore default setting.

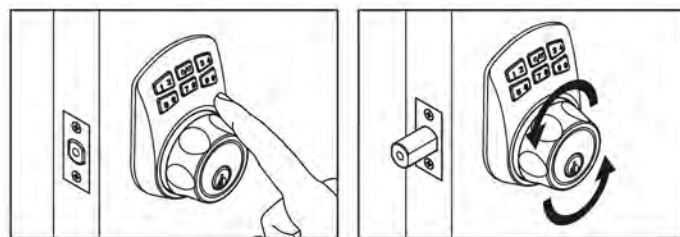
Unlock

To unlock the deadbolt - After you enter the user code (1,2,3,4) you must push the Lock & Unlock button. Now you have 5 seconds to manually turn the cylinder housing wheel.



Lock

To lock your deadbolt - simply push the (A) Lock & Unlock button. Now you have 5 seconds to rotate the cylinder housing wheel.



REMARK

1. We recommend to use alkaline battery in order to stabilize the power supply.
2. Do not mix alkaline battery with regular zinc-carbon ones or mixed brands.
3. Do not use any chemical liquid or lubricating oil with additives to clean the lock body, it will damage the surface or even mainboard.

TROUBLESHOOTING

In installed, the cylinder housing don't rotated after press Programming Button

Note : In installing, spindle install mistake.

Troubleshooting : Refer Identify door handing.

Battery life short

Note : Alkaline batteries better more than normal batteries.

Troubleshooting : Use alkaline batteries.

The lock don't setting user code

Note : Setting in lock state.

Troubleshooting : Confirm the latch is unlock state.

SETTINGS

Programming Code (PC) : 0000 User Code (UC) : 1234

Your new programming codes (PC) _____ Your new User Code (UC) _____

■ Create new User Code (UC)



Note : Up to 20 sets of User Codes can be saved. User Codes should be 4-10 digits in length.

■ Delete individual User Code (UC)

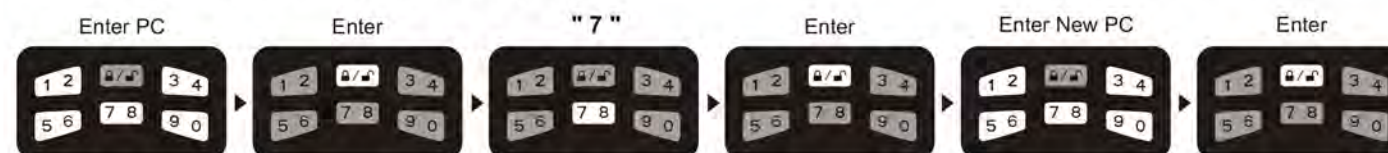


■ Delete all User Codes (UC) at once



Note : Auto-Locking and Keypad locking functions will be invalid when User Codes are deleted. The lock can only be operated by key during that time.

■ Change Programming Code (PC)



■ Restore Default Settings

Note : insert a pin into the hole under the bottom opening for 5 seconds. Three long beeps will indicate the restoration is completed.

OPERATION INDICATOR SOUNDS AND LIGHTS

Lights	Sounds	Meaning	Troubleshooting
Flashes Green Once	1 Beep	Successful Operation	
Flashes Red 3 Times	3 Beeps	Operation Error	Repeat Operating
Flashes Red 5 Times	5 Beeps	Code Input Error; System Shuts Down	Waiting for 45 seconds Repeat Operating
Flashes Red 10 Times	10 Rapid Beeps	Low Battery Power	Chang the Battery
Flashes Green Twice	2 Beeps	Successful Programming	
Flashes Orange 3 Times	3 Long Beeps	Default Setting Restored	Repeat Setting
Flashes Orange Slowly		In Programming Mode	