



## FEATURES

- Mechanical keyless narrow stile hook bolt lock
- Replaces Adams-Rite style lock systems
- Knob on exterior, thumb turn on interior (single combination)
- Knob on exterior & interior (double combination)
- Ideal for sliding gates and aluminum storefront doors

## OPTIONS

### Finish

- Antique Brass (AB)
- Bright Brass (BB)
- Bright Chrome (BC)
- Jet Black (JB)
- Marine Grade (MG)
- Oil Rubbed Bronze (OIL)
- Satin Chrome (SC)
- Satin Nickel (SN)
- White (WH)

### Combination Body



## COMPATIBLE WITH

- GB950 Gate Box
- GB2900 LINX Box
- Narrow Stile Mounting Tabs (AR-2991-0965)

## DIMENSIONS & SPECIFICATIONS

### Dimensions:

- Length: 5 5/8"
- Width: 1 5/8"
- Depth: 1 5/8"

### Total Coverage with Trim Plate:

- Length: 6"
- Width: 2"

### Throw Size: 1 1/2"

### Door Thickness: 1 1/8" to 2"

Fits doors up to 5" thick with Extension Kit

### Backset: 1 1/8"

### Material: Zinc-plated Steel

Five-ply laminated steel bolt

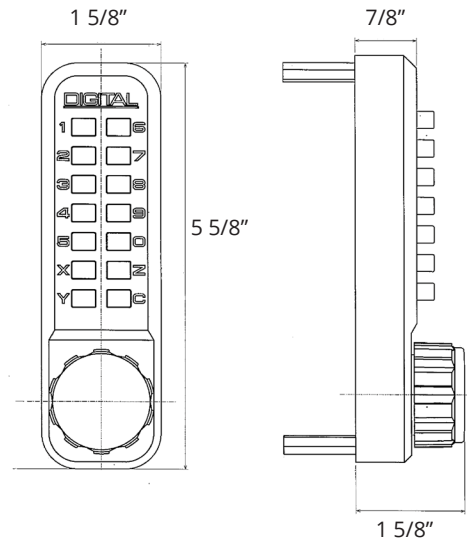
Concealed hardened steel pin for maximum security

Teflon coated stainless steel interior components

For exterior & interior use

Weather resistant

Lifetime mechanical warranty



## OPTIONS

2950 (Finish)

2900 (Finish) + Double Combination (DC)