

# 2985 NARROW STILE LEVER



## FEATURES

- Mechanical keyless narrow stile lever lock
- Replaces Adams-Rite style lock systems
- Levers on exterior & interior
- Auto-locking with passage function
- Ideal for aluminum storefront doors and gates

## OPTIONS

### Finish

- Antique Brass (AB)
- Bright Brass (BB)
- Bright Chrome (BC)
- Jet Black (JB)
- Marine Grade (MG)
- Oil Rubbed Bronze (OIL)
- Satin Chrome (SC)
- Satin Nickel (SN)
- White (WH)

### Combination Body



Single  
Combination



Double  
Combination  
(DC)

## COMPATIBLE WITH

- GB900 Gate Box 28/38 Knob
- GB2900 LINX Box Narrow Stile Mounting Tabs (AR-2991-0965)

## DIMENSIONS & SPECIFICATIONS

### Dimensions:

- Length: 5 5/8"
- Width: 1 5/8"
- Depth: 2 1/4"

### Total Coverage with Trim Plate:

- Length: 6"
- Width: 2"

### Door Thickness: 1 1/8" to 2"

Fits doors up to 5" thick with Extension Kit

### Backset: 1 1/8"

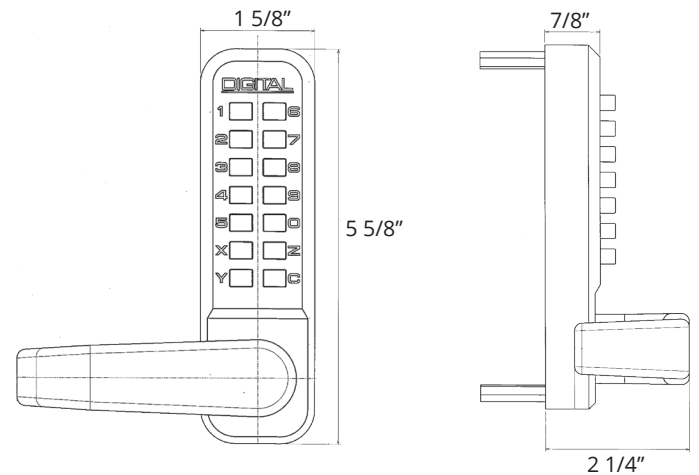
### Material: Zinc-plated Steel

Teflon coated stainless steel interior components

For exterior & interior use

Weather resistant

Lifetime mechanical warranty



## OPTIONS

2985 (Finish)

2985 (Finish) + Double Combination (DC)

