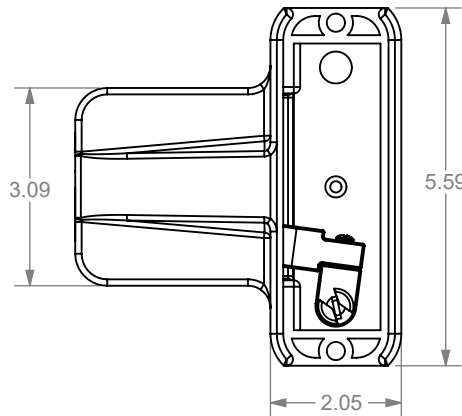
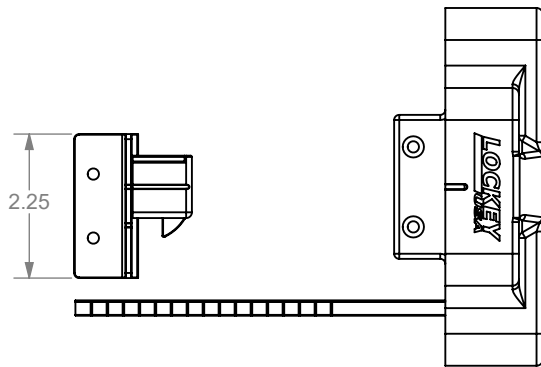
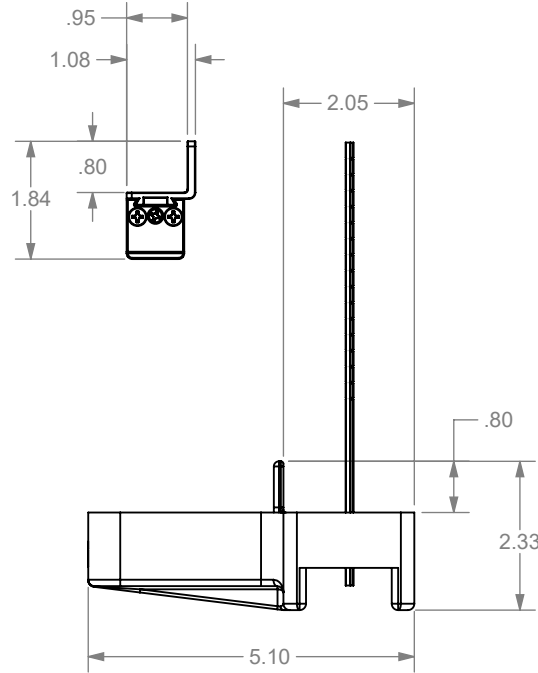
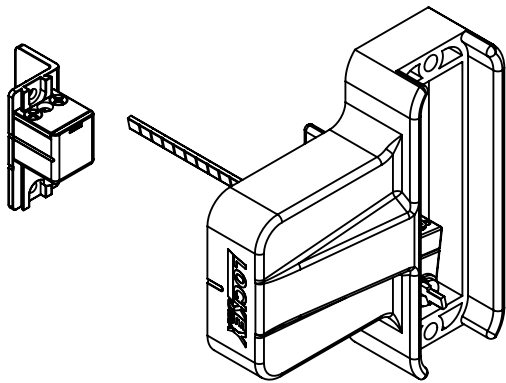


ECR/DCR		REV.		REVISIONS		DATE	APPD
-	-	-	-	DESCRIPTION	INITIAL RELEASE	10-01-21	DDC



PACKAGING INSTRUCTIONS

POLYBAGGED SET CONTAINING:

- (1) LATCH HOUSING ASSY
- (1) LATCH CAM ASSY
- (1) KEEPER ASSY
- (1) GASKET
- (1) INSTRUCTION SHEET
- (1) POLYBAG CONTAINING:
 - (1) SPINDLE
 - (2) M4 X 45MM STANDOFFS
 - (6) M4 X 25MM STANDOFFS
 - (1) M4 X 20MM FLAT HD SCREW
 - (1) M4 X 30MM FLAT HD SCREW
 - (2) M4 X 40MM FLAT HD SCREWS
 - (5) #8 X 1" FLAT HD SD SCREWS
 - (2) #8 X 1" PAN HD SD SCREWS

DIMENSIONS ARE IN INCHES
 TOLERANCES:
 FRACTIONAL: ±1/16"
 ANGULAR: MACH ±1° BEND ±1°
 TWO PLACE DECIMAL: ±0.01
 THREE PLACE DECIMAL: ±0.005

PROPRIETARY AND CONFIDENTIAL
 THE INFORMATION CONTAINED IN THIS DRAWING IS THE SOLE PROPERTY OF NATIONWIDE INDUSTRIES. ANY REPRODUCTION IN PART OR AS A WHOLE WITHOUT THE WRITTEN PERMISSION OF NATIONWIDE INDUSTRIES IS PROHIBITED.



LOCKEY
KEYLESS LOCK ADAPTER

SIZE	DWG. NO.	REV.
A	CS--2835-ADAPTER	-
SCALE: 1:3	WEIGHT:	SHEET 1 OF 1