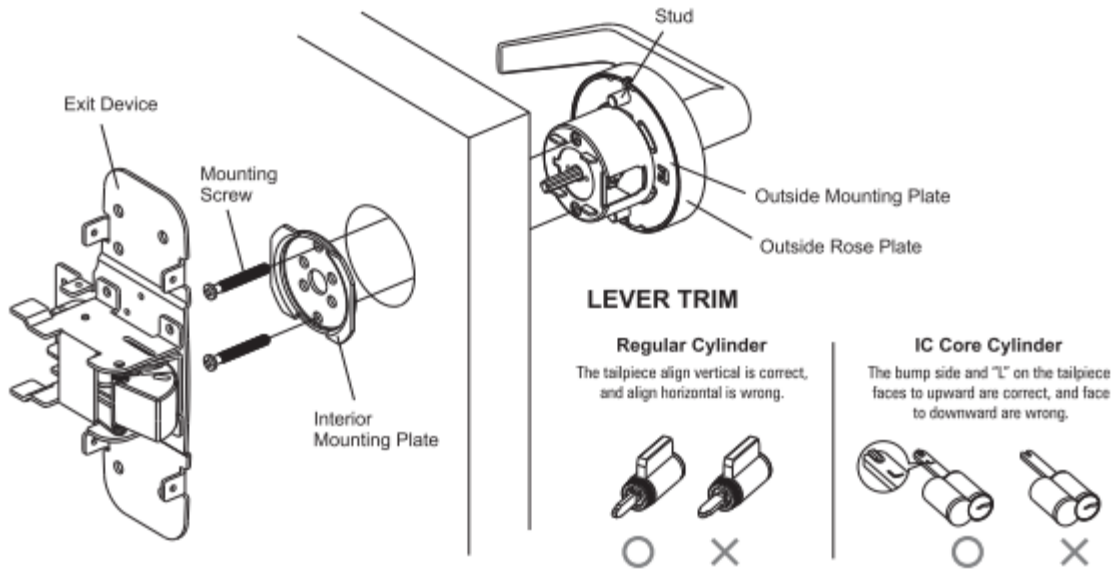


INSTALLATION INSTRUCTIONS FOR LEVER TRIM



Alignment studs must enter into 5/16" (8mm) field drilled holes on outside of door.
(Existing slots can be elongated with a file.)

Stud may fall off when installation or re-keying, please follow the process of below to locate the stud.

Note : warranty voided if stud are not installed.

- a. Disassemble outside mounting plate from outside rose plate.
- b. Make clearance between outside mounting plate and insert the stud into the cavities of outside mounting plate.

