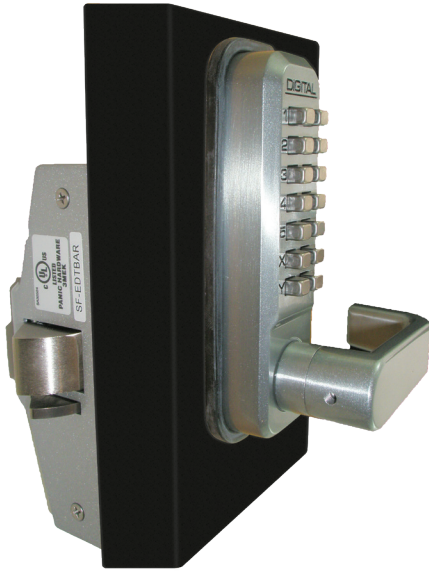
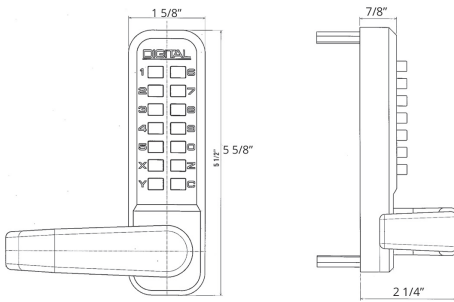


285P KEYLESS PASSAGE LEVER PANIC TRIM



Features & Benefits

- **Keyless Panic Trim - 2835 Lock Body**
Changeable handing with passage function
- **One user code, thousands of possible combinations**
Takes the place of the keyed cylinder
- **Compatible with**
LockeyUSA panic bars, Detex® panic bars, and any panic bars that accept a flat tailpiece & have a turn radius of 74 degrees or less
- **Ideal For**
Panic exit doors, narrow stile doors, commercial doors, hospitals and schools



Ordering Information

Part Number	Description
285P-(finish)	285P Keyless Panic Trim

Available Finishes

Antique Brass (AB), Bright Brass (BB), Bright Chrome (BC), Jet Black (JB), Marine Grade (MG), Oil Rubbed Bronze (OIL), Satin Chrome (SC), Satin Nickel (SN), White (WH)

Dimensions & Specs

5 5/8" H X 1 5/8" W X 2 1/4" D, DOOR THICKNESS: 1 3/16" TO 2", MATERIAL: ZINC-PLATED STEEL, TEFLON COATED STAINLESS STEEL INTERIOR COMPONENTS, FOR EXTERIOR & INTERIOR USE.

*Visit lockeyusa.com/warranty for full warranty details, information, and limitations.